

HAND PALLET JACK



SMOOTH MOVES

- ▶ Up to 8000 Lb. Capacity
- ▶ Various Fork Sizes
- ▶ Low/Ultra-Low Profile & 4-Way Entry Options
- ▶ Electric Lift & Freezer Galvanized Options



HPT28U

HAND PALLET JACK

CAPACITY
5500 LBS.

LOAD CENTER
24 IN.

TRUCK WEIGHT
167 LBS.

INDUSTRIES



Beverage



Cold Storage



Food Storage



Forging & Casting



General Manufacturing



General Warehousing



Retail

BASE MODEL: HPT28U

Our most versatile, best selling hand pallet jack, our HPT28U is anything but basic — with industry-leading features that make operators more productive and less fatigued.

STANDARD FEATURES

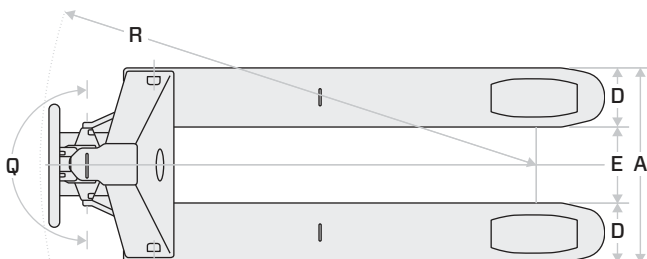
- Curvilinear handle
- 180° steering arc
- Easy-to-operate controls
- Neutral position
- Strong handle return spring
- Tow bar shoulder support
- 3" lowered height
- Low-profile, lightweight design
- Variable speed lowering
- Powder-coated Toyota orange paint
- High-tensile strength steel frame
- Profiled forks with single load wheel & entry/exit rollers
- One-piece cast pump body with heavy-duty thrust ball bearing
- Adjustable push bars
- Low noise levels & rolling resistance
- 10 grease fittings

OPTIONAL EQUIPMENT

- Various fork widths (20.5," 27")
- Various fork lengths (36," 42," 48")
- White nylon, polyurethane or steel load & steer wheels
- 48" load backrest
- Quick-lift pump model
- Parking brake
- Power assist model (5000 lb. capacity)
- Stainless steel model (4400 lb. capacity)

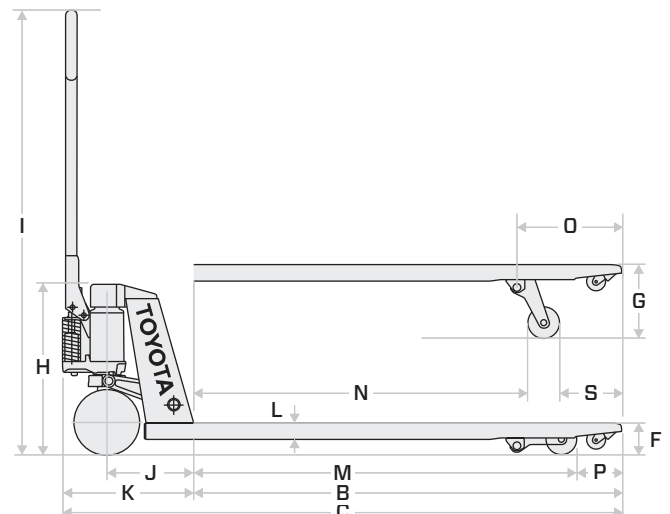
WARRANTY

- Hydraulic pump: 2 years
- Frame: 1 year
- Wearable items: 6 months



TRUCK SPECIFICATIONS

GENERAL DATA			HPT28U
Load Capacity		lb (kg)	5500 (2495)
Tire Type	Drive / Load		Nylon, Polyurethane or Steel
EXTERIOR DIMENSIONS			HPT28U
A	Overall Width	in (mm)	27 (685)
B	Fork Length	in (mm)	48 (1220)
C	Overall Length	in (mm)	62.6 (1590)
D	Fork Width	in (mm)	6.3 (160)
E	Width Between Forks	in (mm)	14.4 (365)
F	Lowered Height	in (mm)	3 (76.2)
G	Raised Height	in (mm)	7.75 (197)
H	Chassis Height (lowered)	in (mm)	17.6 (447)
I	Handle Height	in (mm)	48 (1220)
J	A-Frame to Steer Wheel Center	in (mm)	9.1 (230)
K	Front-End Length	in (mm)	14.6 (371)
L	Underclearance (lowered)	in (mm)	1.2 (30)
M	A-Frame to Load Wheel (lowered)	in (mm)	43.5 (1105)
N	A-Frame to Load Wheel (raised)	in (mm)	41.9 (1065)
O	Fork Tip to Assembly Pivot Point	in (mm)	10.6 (270)
P	Fork Tip to Load Wheel (lowered)	in (mm)	4.5 (115)
Q	Steering Arc	deg	180
R	Turning Radius	in (mm)	57.1 (1452)
S	Fork Tip to Load Wheel (raised)	in (mm)	6.1 (155)
TIRES			HPT28U
Dual Steer Wheels	Diameter x Width	in (mm)	6.9 x 2.4 (175 x 60)
Dual Load Wheels	Diameter x Width	in (mm)	2.9 x 3.9 (75 x 100)
WEIGHT			HPT28U
Total Weight		lb (kg)	167 (76)





► AVAILABLE ONLINE shop.ToyotaForklift.com



COUNT ON THE LEADER

- ▶ Toyota leads in quality, durability, reliability and value, thanks to advanced technology and the world-renowned Toyota Production System.
- ▶ With the broadest and most complete set of material-handling solutions in the industry, Toyota Dealers specialize in meeting all of your needs — from a single forklift to an entire fleet.
- ▶ Toyota's industry-leading network of dealers backs every forklift with proven product support. Resources include factory-trained service technicians, Toyota Genuine Parts, and flexible leasing and financing packages through Toyota Industries Commercial Finance.

- ▶ Toyota forklifts have ranked No. 1 in safety and quality since 2002, according to studies conducted by Peerless Research Group.

For more information, including full specs, see your Toyota Dealer or ToyotaForklift.com.



▶ FIND YOUR DEALER ToyotaForklift.com

HPT28UHANDPALLETJACKSS
©2022 Toyota Material Handling, Inc.