

CENTER-CONTROLLED RIDER PALLET JACK



LONG DISTANCE RIDER

- ▶ 6000 - 8000 lb. Capacity
On Level Surfaces
- ▶ Regenerative Plugging
- ▶ Cold Conditioning Package Option
- ▶ Electronic Coast Control Option
- ▶ Up to 144 in. Fork Option
- ▶ Power Steering



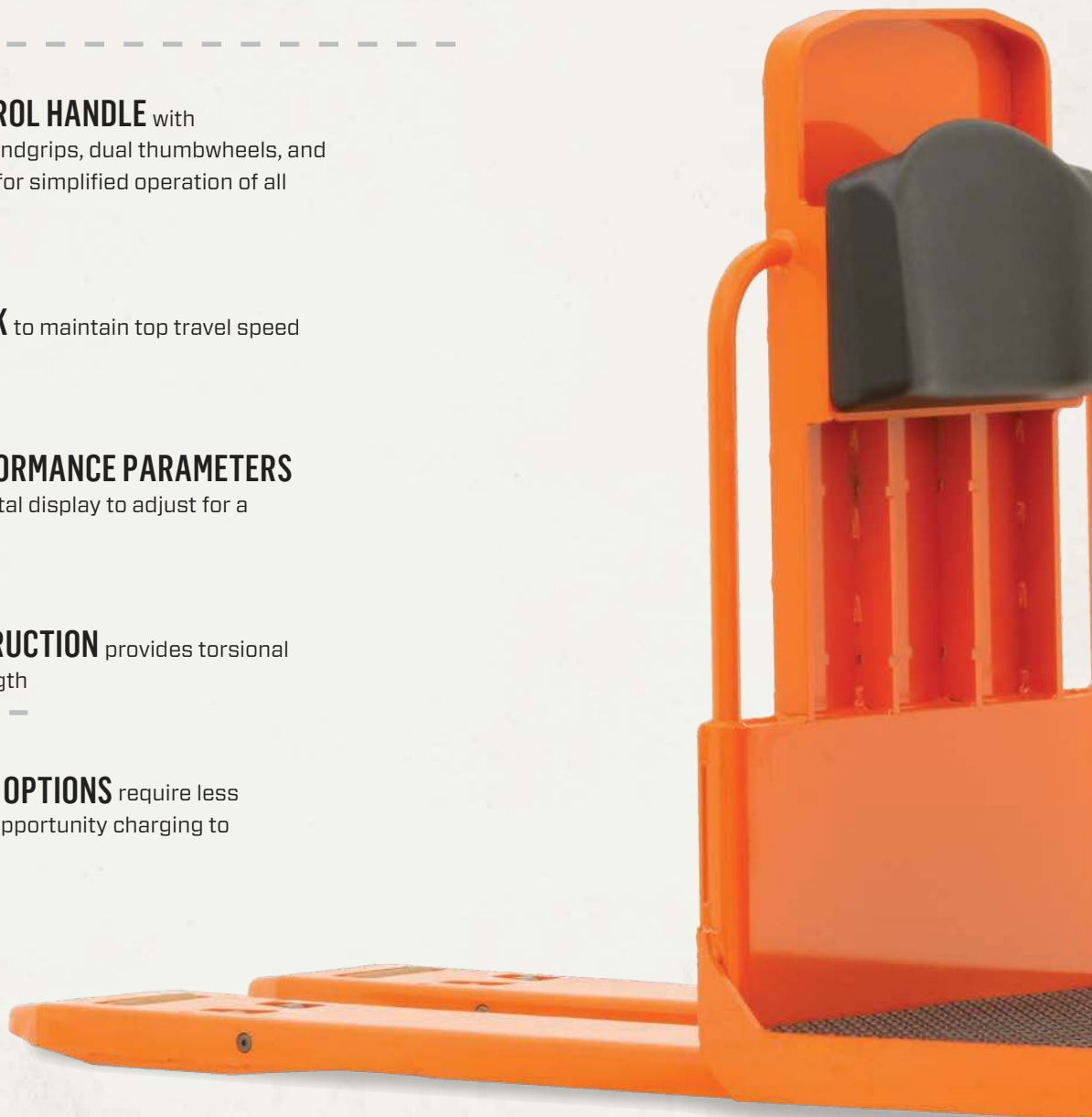
8HBC30-40

MASTER OF THE GROUND GAME

THE TOYOTA CENTER-CONTROLLED RIDER. Just get in and go. With easy maneuverability and a comfortable mid-truck operator compartment, the Center-Controlled Rider makes cross-warehouse hauling fast and efficient. It doubles as a floor-level order picker, too. Giving you complete command of your ground game and a healthy boost in productivity, shift after shift.

CENTER-CONTROLLED RIDER ADVANTAGES

- ▶ **MULTIFUNCTION CONTROL HANDLE** with ergonomically positioned handgrips, dual thumbwheels, and lift, lower, and horn buttons for simplified operation of all controls with either hand
- ▶ **HIGH-SPEED INTERLOCK** to maintain top travel speed for long-distance transport
- ▶ **PROGRAMMABLE PERFORMANCE PARAMETERS** customizable through a digital display to adjust for a variety of job applications
- ▶ **BOX RAIL FORK CONSTRUCTION** provides torsional rigidity and maximum strength
- ▶ **LITHIUM-ION BATTERY OPTIONS** require less maintenance and allow for opportunity charging to increase uptime



Drawings and images do not reflect standard power steering feature. Optional equipment can affect specifications and design.

UP TO **144** IN.
FORK OPTION

▶ **DUAL LIFT CYLINDERS** provide efficient hydraulic power for smooth, effortless lifting to reduce component wear

▶ **SELF-DIAGNOSTICS** simplify troubleshooting and reduce down time for repairs

▶ **GLANCE & GO DISPLAY** provides a quick summary of key information

▶ **POWER STEERING** comes standard, providing superior ergonomics and precise control

▶ **ELECTRONIC COAST CONTROL OPTION** augments productivity by eliminating the need for operator to climb on and off during floor-level order picking

▶ **FORK HEIGHT TRAVEL INTERLOCK** is programmable and trains operators to travel with the forks raised, reducing the likelihood of damage when traveling over dock plates.



TOYOTA MOVES WITH YOU



A NAME YOU CAN TRUST

Our material handling equipment carries something no others can: The Toyota name. As one of the most recognized and respected global brands, the Toyota name is synonymous with quality, durability, and value. It also provides a peace of mind that few companies of any kind can match.

Every Toyota Forklift is built using the world-renowned Toyota Production System (TPS), which features Just-in-Time parts delivery and quality checks at every step of the manufacturing process.

It's all part of the Toyota philosophy of "kaizen," the dedication to continuous improvement. Instituted by our founder more than 80 years ago, it's a principle that still guides us today. As long as our forklifts carry the Toyota name, we'll continue striving to improve processes and quality.

THE TOYOTA 360 SUPPORT PROMISE

In addition to moving more pallets more quickly through your facility, you can count on Toyota's dedication to quality and world-renown manufacturing methods to deliver unprecedented uptime and lower maintenance costs. Toyota 360 Support comes standard with every Toyota Order Picker, meaning you benefit from an industry-leading two-year parts warranty, the support of over 65 dealerships, 3500+ Toyota Certified Technicians, and guaranteed 4-hour emergency response time.

65+
DEALERSHIPS

3500+
TOYOTA CERTIFIED TECHNICIANS

4-HOUR
GUARANTEED
EMERGENCY RESPONSE TIME

CENTER-CONTROLLED RIDER PALLET JACK

CAPACITY

6000 – 8000 LBS.
on level surfaces

FORK SIZE

36 – 103 IN.

OVERALL FORK WIDTH

22 – 27.5 IN.

INDUSTRIES



Beverage



Cold Storage



Food Storage



General
Manufacturing



General
Warehousing



Retail

STANDARD FEATURES

PERFORMANCE

- AC drive motor with thermal protection & current limiting
- 24-Volt electrical system
- 6" lift
- Programmable performance
 - Adjustable maximum speed
 - Adjustable acceleration
- Hour meter reading
- Regenerative plugging
- On/off key switch
- Lift limit switch
- Multiple hour meter indicator
- Battery discharge indicator with lift interrupt
- Fused control & power circuits
- Hydraulic overload protection valve
- Dual 1.25"-dia. lift cylinders
- Polyurethane torsion block stabilizing casters¹
- Heavy-duty spring-loaded stabilizing casters²
- Fork height travel interlock

BODY/EXTERIOR DESIGN

- 31.5"-long x 13.44"-wide battery compartment³
- SB-175 battery connector (gray)
- Top Adjust Caster Wheels

ERGONOMICS

- Multifunction control handle with ergonomically angled handgrips & wrap-around hand guard
- Dual thumbwheels with twist grips for directional control & travel speed
- Intuitively positioned lift/lower buttons
- High-speed interlock button
- Cushioned operator floor mat, padded backrest & knee pad
- Walk-through operator compartment
- Low platform step height
- Low effort power steering handle with adjustable height

DURABILITY

- Control Area Network (CAN-bus) communications
- Welded construction with reinforced heavy-duty bumper
- Powder coat paint finish
- Box rail fork construction
- Steel bulkhead wrappers
- Forged rectangular steel tension rods
- Heavy-duty bushings & pins
- Solid trail fork casting
- Tapered fork tips with pallet entry slides
- Four-point lift linkage
- High-strength polymer service cover
- Rubber drive tire
- Hall-effect switches
- 48" load backrest extension

SERVICEABILITY

- AC drive motor (no brushes or commutator)
- Self-adjusting electric disc brake
- One-piece, lightweight service access cover
- Error indicator with self-diagnostics
- Teflon®-coated Polyube™ lift linkage bushings (maintenance free)

SUPPORT

- Wrap-around hand guard
- Adjustable power steer control handle
- Electronic horn

¹ Standard only with fork lengths below 84" (2134 mm).

² Standard only with fork lengths 84" (2134 mm) & above.

³ Battery compartment width is 30.25" (768 mm) when equipped with optional battery compartment rollers.

OPTIONAL EQUIPMENT

- 48," 60" and 72" load backrest extension
- Electronic travel alarm (forward & reverse)
- Controller splash guard
- Keyless on/off switch
- Power hookup for onboard terminal (24-Volt, 2 amp)
- Power hookup for onboard terminal (24-Volt, 10 amp)
- Storage tray, battery compartment mounted
- Pallet entry/exit rollers (single length pallet forks only 36"- 60")
- Steel bumper skirt (2.25" underclearance)
- Turtle speed (3-position key switch)
- Jog buttons with turtle speed
- (3-position key switch)
- Dual stretch wrap holder, load backrest mounted
- Lubrication package for pivot points (grease fittings)
- Steering bearing, greaseable
- 6" extended operator compartment
- Battery compartment rollers with dual side gates
- Battery side gate interlock switches
- 32"-high battery retaining wall
- Battery spacer kit
- Polyurethane drive tire
- Non-marking rubber drive tire
- Heavy-duty load wheels (Vulkollan®)
- Caster Wheels w/ Food Grade Grease
- Load wheel debris diversion device
- Polyurethane load wheels (tan durometer 95)
- Load wheels, single axle/dual
- Load wheels, single axle/triple
- Power steering
- Cold storage conditioning
- Special paint color, complete truck
- UL-approved model type "E"
- UL-approved model type "EE"
- Factory pre-programmed maximum travel speed of 5 mph
- Cold storage conditioning

Please contact your local, authorized Toyota Dealer for a complete list of available options.



LOW EFFORT POWER STEERING HANDLE

with adjustable height





6,000-8,000

CAPACITY
ON LEVEL SURFACES

CENTER-CONTROLLED RIDER PALLET JACK

TRUCK SPECIFICATIONS

GENERAL DATA			MODEL NUMBER								
GENERAL DATA			8HBC30								
Load Capacity	lb (kg)		6000 (2725) on level surfaces								
Power Type			Battery								
Operator Position			Center-Controlled Rider								
Tire Type	Drive / Caster / Load		Rubber / Polyurethane / Polyurethane								
Wheels (x = driven)	Front / Rear		1 Drive, 2 Heavy-Duty Casters / 2 Load								
EXTERIOR DIMENSIONS			8HBC30								
A Fork Width	in (mm)		9 (229)				10 (254)				
B Overall Fork Width	in (mm)		22 (559) or 24 (610) or 27 (686)				22.625 (575) or 24.5 (622) or 27.5 (699)				
C Fork Height	Lowered	in (mm)	3.25 (83)								
	Raised	in (mm)	9.25 (235)								
E Fork Lift	in (mm)		6 (152)								
F Fork Length	in (mm)		36 (914) ^{1,5}	42 (1067) ^{1,5}	48 (1220) ^{1,5}	60 (1524) ^{1,5}	84 (2134) ^{1,2,6}	93 (2362) ^{1,2,6}	96 (2438) ^{1,2,6}	103 (2616) ^{1,2,3,6}	
G Overall Width	in (mm)		32.5 (826)								
H Overall Length	in (mm)		90.3 (2294)	96.3 (2446)	102.3 (2598)	114.3 (2903)	138.75 (3524)	145.50 (3721)	148.75 (3778)	155.75 (3956)	
	I Wheelbase	Lowered	in (mm)	72.8 (1849)	78.8 (2002)	84.8 (2154)	96.8 (2459)	105.2 (2672)	105.2 (2672)	105.2 (2672)	112.2 (2850)
Raised		in (mm)	68.1 (1730)	74.1 (1882)	80.1 (2035)	92.1 (2339)	100.55 (2553)	100.55 (2553)	100.55 (2553)	107.5 (2731)	
J Turning Radius	in (mm)		74.7 (1897)	80.6 (2047)	86.5 (2197)	98.3 (2497)	106.6 (2708)	106.6 (2708)	106.6 (2708)	113.5 (2883)	
Gross Weight Without Battery	lb (kg)		1280 (581)	1300 (590)	1320 (599)	1370 (621)	1730 (785)	1770 (803)	1780 (807)	1805 (819)	
L Head Length	in (mm)		54.6 (1387)								
M Power Unit Height	in (mm)		31.40 (798)								
N Overall Height (handle)	Adjustment Range	in (mm)	41.5 (1054) to 49.0 (1245)								
	O Operator's Platform Height	Lowered	in (mm)	4 (102)							
Raised		in (mm)	10 (254)								
P Operator's Platform Depth	in (mm)		17.25 (438)								
Q Distance from Bumper to Center of Drive Tire	in (mm)		9.9 (251)								
R Bumper Underclearance	in (mm)		4.75 (121)								
S Bumper Height	in (mm)		9.75 (248)								
PERFORMANCE DATA			8HBC30								
Speeds	Full Load	mph (km/h)	6.5 (10.5)								
	No Load	mph (km/h)	9.0 (14.4)								
Gradeability	Full Load	%	10								
	No Load	%	10								
TIRES			8HBC30								
Tires	Number	Front / Rear	3 / 2								
	Size (dia. x width)	Drive (front)	in (mm)	12 x 4.75 (305 x 121)							
		Caster (front)	in (mm)	4 x 2.5 (102 x 64)							
		Load (rear)	in (mm)	3.25 x 5.91 (83 x 150)							
POWER SYSTEM			8HBC30								
Battery	Voltage/Capacity	V / Ah	24 / 750								
	Connector (Color)		SB-175 (gray)								
	Connector Cable Location		B								
	Connector Cable Length	in (mm)	18 (457)								
Battery Compartment	Width	in (mm)	31.5 (800) ⁴								
	Length	in (mm)	13.44 (341)								
	Height	in (mm)	-								
Battery Weight	Maximum	lb (kg)	1500 (680)								
	Minimum	lb (kg)	980 (445)								
Electric Motors	Drive (60 minutes)	hp (kW)	5.5 (4.1)								
Control Type	Drive		Transistor								
	Load Handling		contactor								

1 48" (1219 mm) load backrest extension is standard.
 2 Forks are designed to handle two 48" (1219 mm) long pallets.
 3 These forks have a 7" (178 mm) longer wheelbase to allow for load overhang & proper load wheel drop.
 4 Length = 30.25" (768 mm) when equipped with optional Battery Compartment Rollers.
 5 Polyurethane Torsion Block Stabilizing Casters are standard.
 6 Heavy-Duty Spring-Loaded Stabilizing Casters are standard.

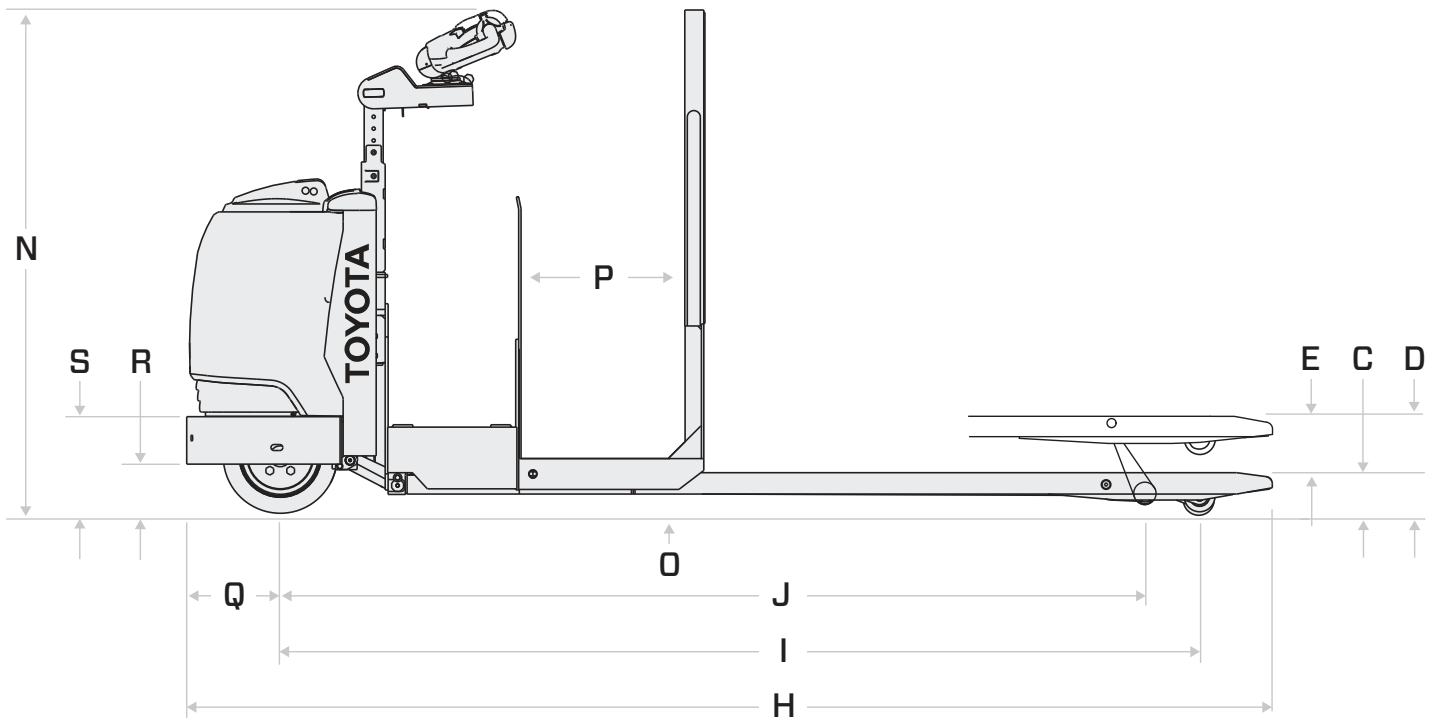
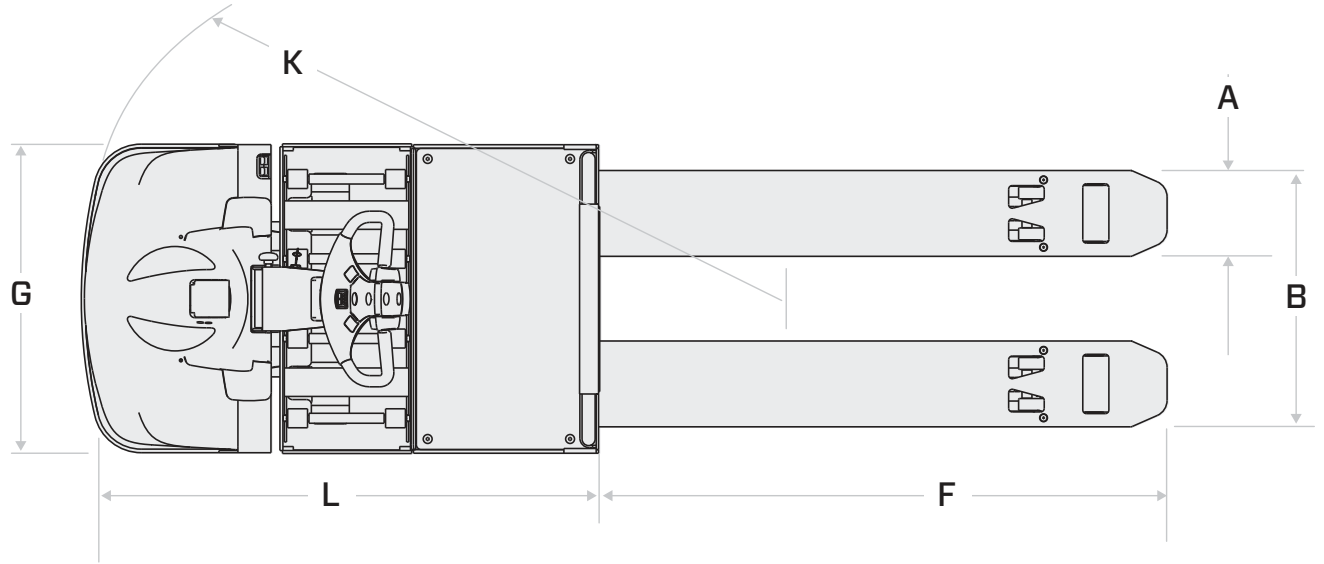
TRUCK SPECIFICATIONS

MODEL NUMBER

GENERAL DATA			8HBC40						
Load Capacity	lb (kg)		8000 (3632) on level surfaces						
Power Type	Battery								
Operator Position	Center-Controlled Rider								
Tire Type	Drive / Caster / Load		Rubber / Polyurethane / Polyurethane						
Wheels (x = driven)	Front / Rear		1 Drive, 2 Heavy-Duty Casters / 2 Load						
EXTERIOR DIMENSIONS			8HBC40						
A Fork Width	in (mm)		10 (254)						
B Overall Fork Width	in (mm)		27.5 (699)						
C Fork Height	Lowered	in (mm)	3.25 (83)						
	Raised	in (mm)	9.25 (235)						
E Fork Lift	in (mm)		6 (152)						
F Fork Length	in (mm)		84 (2134) ^{1,2,5}	93 (2362) ^{1,2,5}	96 (2438) ^{1,2,5}	103 (2616) ^{1,2,3,5}	144 (3658) ^{5,6,8,9}	144 (3658) ^{5,7,8,9}	
G Overall Width	in (mm)		32.5 (826)						
H Overall Length	in (mm)		138.75 (3524)	146.50 (3721)	148.75 (3778)	155.75 (3956)	204.3 (5189)	204.3 (5189)	
	in (mm)		105.2 (2672)	105.2 (2672)	105.2 (2672)	112.2 (2850)	159.2 (4044)	138.6 (3520)	
I Wheelbase	Lowered	in (mm)	105.2 (2672)	105.2 (2672)	105.2 (2672)	112.2 (2850)	159.2 (4044)	138.6 (3520)	
	Raised	in (mm)	100.5 (2553)	100.5 (2553)	100.5 (2553)	107.5 (2731)	154.5 (3924)	133.9 (3401)	
J Turning Radius	in (mm)		106.6 (2708)	106.6 (2708)	106.6 (2708)	113.5 (2883)	167.7 (4259)	146.8 (3729)	
Gross Weight Without Battery	lb (kg)		1940 (880)	1980 (898)	1990 (903)	2015 (914)	2260 (1025)	2260 (1025)	
L Head Length	in (mm)		54.6 (1387)						
M Power Unit Height	in (mm)		31.40 (798)						
N Overall Height (handle)	Adjustment Range	in (mm)	41.5 (1054) to 49.0 (1245)						
	in (mm)		4.0 (102)						
O Operator's Platform Height	Lowered	in (mm)	4.0 (102)						
	Raised	in (mm)	11.5 (292)						
P Operator's Platform Depth	in (mm)		17.25 (438)						
Q Distance from Bumper to Center of Drive Tire	in (mm)		9.9 (251)						
R Bumper Underclearance	in (mm)		4.75 (121)						
S Bumper Height	in (mm)		9.75 (248)						
PERFORMANCE DATA			8HBC40						
Speeds	Full Load	mph (km/h)	6.5 (10.5)						
	No Load	mph (km/h)	9.0 (14.4)						
Gradeability	Full Load	%	8						
	No Load	%	10						
TIRES			8HBC40						
Tires	Number	Front / Rear	3 / 2						
	Size (dia. x width)	Drive (front)	in (mm)	12 x 4.75 (305 x 121)					
		Caster (front)	in (mm)	4 x 2.5 (102 x 64)					
		Load (rear)	in (mm)	3.25 x 5.91 (83 x 150)					
POWER SYSTEM			8HBC30						
Battery	Voltage/Capacity	V / Ah	24/750						
	Connector (Color)		SB-175 (gray)						
	Connector Cable Location		B						
	Connector Cable Length	in (mm)	18 (457)						
Battery Compartment	Width	in (mm)	31.5 (800) ⁴						
	Length	in (mm)	13.44 (341)						
	Height	in (mm)	-						
Battery Weight	Maximum	lb (kg)	1500 (680)						
	Minimum	lb (kg)	980 (445)						
Electric Motors	Drive (60 minutes)	hp (kW)	5.5 (4.1)						
Control Type	Drive		Transistor						
	Load Handling		contactor						

- 1 48" (1220 mm) load backrest extension is standard.
- 2 Forks are designed to handle two 48" (1220 mm) long pallets.
- 3 These forks have a 7" (178 mm) longer wheelbase to allow for load overhang and proper load wheel drop.
- 4 Length = 30.25" (768 mm) when equipped with optional Battery Compartment Rollers.
- 5 Heavy-Duty Spring-Loaded Stabilizing Casters are standard.
- 6 Load wheels drop into first slot of third pallet.
- 7 Load wheels drop into second slot of second pallet.
- 8 Forks are designed to handle three 48 in x 40 in (1220 mm x 1016 mm) pallets entered on the 40 in (1016 mm) face.
- 9 Dual tandem load wheels [3.25 in x 2 in (82.6 mm x 51 mm)] are standard.

EXTERIOR DIMENSIONS



RIGHT-ANGLE STACKING AISLE REQUIREMENTS

FORK LENGTH	PALLET LENGTH	PALLET WIDTH						
		30 (762)	32 (813)	36 (914)	40 (1016)	42 (1067)	44 (1118)	48 (1220)
in (mm)	in (mm)	in (mm)	in (mm)	in (mm)	in (mm)	in (mm)	in (mm)	in (mm)
8HBC30								
36 (914) ¹	36 (914)	79.8 (2027)	79.8 (2027)	79.8 (2027)	79.8 (2027)	79.8 (2027)	79.8 (2027)	79.8 (2027)
42 (1067) ¹	42 (1067)	85.8 (2179)	85.8 (2179)	85.8 (2179)	85.8 (2179)	85.8 (2179)	85.8 (2179)	85.8 (2179)
48 (1220) ¹	48 (1220)	98.8 (2510)	98.8 (2510)	98.8 (2510)	98.8 (2510)	98.8 (2510)	98.8 (2510)	98.8 (2510)
60 (1524) ¹	60 (1524)	110.8 (2814)	110.8 (2814)	110.8 (2814)	110.8 (2814)	110.8 (2814)	110.8 (2814)	110.8 (2814)
84 (2134) ^{2,7}	2 x 48 (2 x 1220)	142.8 (3627)	142.6 (3622)	142.3 (3614)	142.0 (3607)	141.8 (3602)	141.6 (3597)	141.3 (3589)
93 (2362) ^{3,7}	2 x 48 (2 x 1220)	152.5 (3874)	152.4 (3871)	152.2 (3866)	151.9 (3858)	151.8 (3856)	151.7 (3853)	151.4 (3846)
96 (2438) ^{4,7}	2 x 48 (2 x 1220)	155.7 (3955)	155.6 (3952)	155.4 (3947)	155.1 (3940)	155.0 (3937)	154.9 (3934)	154.7 (3929)
103 (2616) ^{5,7}	2 x 48 (2 x 1220)	155.7 (3955)	155.6 (3952)	155.4 (3947)	155.1 (3940)	155.0 (3937)	154.9 (3934)	154.7 (3929)

FORK LENGTH	PALLET LENGTH	PALLET WIDTH						
		30 (762)	32 (813)	36 (914)	40 (1016)	42 (1067)	44 (1118)	48 (1220)
in (mm)	in (mm)	in (mm)	in (mm)	in (mm)	in (mm)	in (mm)	in (mm)	in (mm)
8HBC40								
84 (2134) ^{1,8}	2 x 48 (2 x 1220)	142.8 (3627)	142.6 (3622)	142.3 (3614)	142.0 (3607)	141.8 (3602)	141.6 (3597)	141.3 (3589)
93 (2362) ^{2,6}	2 x 48 (2 x 1220)	152.5 (3874)	152.4 (3871)	152.2 (3866)	151.9 (3858)	151.8 (3856)	151.7 (3853)	151.4 (3846)
96 (2438) ^{3,6}	2 x 48 (2 x 1220)	155.7 (3955)	155.6 (3952)	155.4 (3947)	155.1 (3940)	155.0 (3937)	154.9 (3934)	154.7 (3929)
103 (2616) ^{4,5,6}	2 x 48 (2 x 1220)	155.7 (3955)	155.6 (3952)	155.4 (3947)	155.1 (3940)	155.0 (3937)	154.9 (3934)	154.7 (3929)
144 (3658) ^{7,8,9,11}	3 x 48 (2 x 1220)	Contact factory for engineering request						
144 (3658) ^{7,8,9,11}	3 x 48 (2 x 1220)							

Minimum Aisle Width for Right-Angle Stacking
Includes 4" (102 mm) clearance on each side of load.
Add a minimum of 12" (305 mm) for easy maneuvering.

- 1 For two 48 in x 40 in (1220 mm x 1016 mm) pallets entered on the 40 in (1016 mm) face, with a total of 12 in (305 mm) of pallet overhanging the forks.
- 2 For two 48 in x 40 in (1220 mm x 1016 mm) pallets entered on the 40 in (1016 mm) face, with a total of 3 in (77 mm) of pallet overhanging the forks.
- 3 For two 48 in x 40 in (1220 mm x 1016 mm) pallets entered on the 40 in (1016 mm) face.
- 4 For two 48 in x 40 in (1220 mm x 1016 mm) pallets entered on the 40 in (1016 mm) face, with a total of 7 in (178 mm) of load overhang.
- 5 These forks have 7 in (178 mm) longer wheelbase to allow for load overhang and proper load wheel drop.
- 6 Heavy-Duty Spring-Loaded Stabilizing Casters are standard.
- 7 For three 48 in x 40 in (1220 mm x 1016 mm) pallets entered on the 40 in (1016 mm) face.
- 8 Tandem dual load wheels [3.25 in x 2 in (82.6 mm x 51 mm)] are standard.
- 9 Load wheel drops into first slot of third pallet.
- 10 Load wheel drops into second slot of second pallet.
- 11 Heavy-Duty Spring-Loaded Casters are standard.



“THE NAME ON MY SHIRT SAYS TOYOTA, BUT I WORK FOR YOU.”

Alan – 360 Technician, Atlas Toyota Material Handling, Chicago, IL



HELP IS ALWAYS HERE WITH TOYOTA 360 SUPPORT.

The industry’s best and most comprehensive dealer network quickly delivers Toyota Certified Technicians to your work site. These specially trained technicians can also help assess your warehouse and facility needs to recommend the right equipment for the job. And with the largest fleet of used and rental material handling products, Toyota 360 keeps your business running at full speed.

ToyotaForklift.com/360-Support



YOUR BUSINESS IS RIDING ON IT

Some product features described herein are optional. Please consult your dealer for specifications. Details of specifications and equipment are based on information available at time of printing and may change without notice. Photos may not reflect physical trucks.

