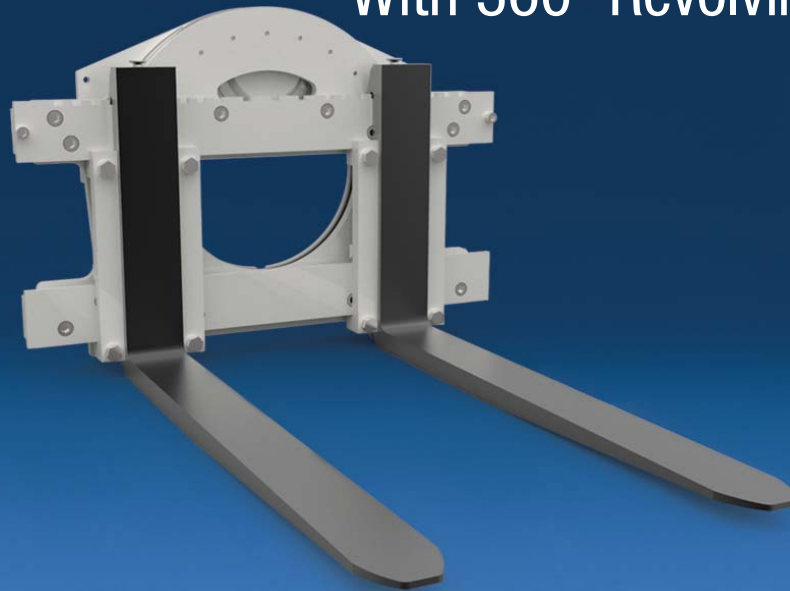


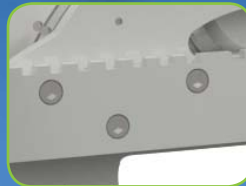
# Superior Load Inverting Capabilities With 360° Revolving Motion



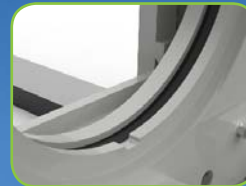
Direct drive gear box proven for superior durability



Middle fork hook provides stability and maximizes capacity



Wide range of fork positions



Sealed visibility hole gives driver excellent sight line and prevents contamination



Fork keepers ensure forks remain secure on attachment

## APPLICATIONS

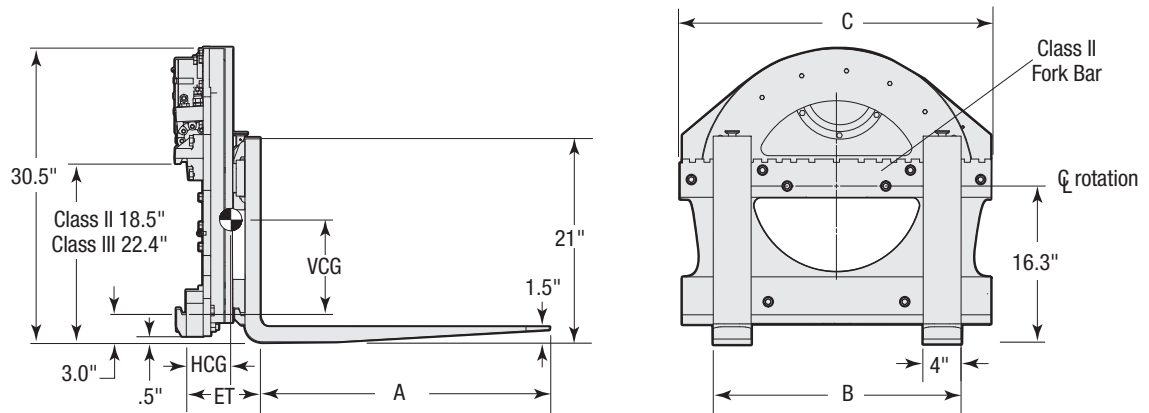
G-Series Rotators give your driver the ability to quickly dump or invert a load, and then immediately return the forks to the pick-up position in one continuous motion. Cascade rotators are widely used in food processing, automotive, chemical processing, recycling operations, casting operations, and general manufacturing – anywhere it is necessary to dump bins or tote boxes.

## FEATURES

- Cascade's gear drive box and ring gear design are proven to provide superior durability.
- Large visibility window gives the driver an excellent view of the fork tips. Center seal locks out contamination.
- Good torque specifications ensure smooth, positive rotation of the load.
- Many fork bar widths are available to suit a wide variety of applications.
- Rotators may be ordered with forks or with fork bars only.
- Easy conversion of mounting hooks when changing truck sizes.

## OPTIONS

- 180° Rotation Stop Group is used when stopping rotation at precisely 180° is desirable.
- Special Fork Sizes and Configurations.
- Quick-Change Lower Mounting Hooks allows the rotator to be removed or installed in a matter of minutes without tools (Quick-change hydraulic couplers available separately).
- Hydraulic Bin Retainer is custom designed to clamp on top of bin to hold bin in place while rotating. Typically used when bin does not have fork pockets.
- Mechanical Bin Retainer is designed to retain lightweight bins.
- Side Stabilizers are to help retain the load during rotation.



360° Rotation

Catalog Order No.	Capacity @ 24" (600 mm) Load Center		Fork Length A	Maximum OTO Fork Spread B	Mtg. Class	Mtg. Angle	Upper Hook Width OTO	Weight		Effective Thickness ET	Horizontal Ctr. of Gravity HCG	Vertical Ctr. of Gravity VCG	Overall Width C
	lbs	kg						lbs	kg				
45G-RRB-10A	⓪	⓪	w/o Forks	32.0"	II	0°	32"	551	250	6.1"	3.1"	12.3"	33.9"
45G-RRB-10B	⓪	⓪	w/o Forks	32.0"	III	0°	32"	567	257	7.3"	4.2"	12.1"	33.9"
45G-RRB-20A	⓪	⓪	w/o Forks	37.0"	II	0°	32"	564	256	6.1"	3.1"	12.2"	39.0"
45G-RRB-20B	⓪	⓪	w/o Forks	37.0"	III	0°	32"	580	263	7.3"	4.3"	12.0"	39.0"
45G-RRB-30A	⓪	⓪	w/o Forks	40.3"	II	0°	32"	572	259	6.1"	3.2"	12.1"	42.3"
45G-RRB-30B	⓪	⓪	w/o Forks	40.3"	III	0°	32"	589	267	7.3"	4.3"	11.9"	42.3"
45G-RRB-11A	4,500	2,045	30"	32.0"	II	0°	32"	708	321	7.6"	5.3"	10.3"	33.9"
45G-RRB-11B	4,500	2,045	30"	32.0"	III	0°	32"	719	326	8.9"	6.3"	10.2"	33.9"
45G-RRB-21A	4,500	2,045	30"	37.0"	II	0°	32"	719	326	7.6"	5.2"	10.3"	39.0"
45G-RRB-21B	4,500	2,045	30"	37.0"	III	0°	32"	732	332	8.9"	6.3"	10.2"	39.0"
45G-RRB-31A	4,500	2,045	30"	40.3"	II	0°	32"	728	330	7.6"	5.2"	10.3"	42.3"
45G-RRB-31B	4,500	2,045	30"	40.3"	III	0°	32"	740	336	8.9"	6.3"	10.1"	42.3"
45G-RRB-12A	4,500	2,045	36"	32.0"	II	0°	32"	730	331	7.6"	6.0"	9.9"	33.9"
45G-RRB-12B	4,500	2,045	36"	32.0"	III	0°	32"	739	335	8.9"	7.1"	9.9"	33.9"
45G-RRB-22A	4,500	2,045	36"	37.0"	II	0°	32"	741	336	7.6"	5.9"	9.9"	39.0"
45G-RRB-22B	4,500	2,045	36"	37.0"	III	0°	32"	752	341	8.9"	7.1"	9.8"	39.0"
45G-RRB-32A	4,500	2,045	36"	40.3"	II	0°	32"	747	339	7.6"	5.9"	9.9"	42.3"
45G-RRB-32B	4,500	2,045	36"	40.3"	III	0°	32"	761	345	8.6"	7.1"	9.8"	42.3"
45G-RRB-13A	4,500	2,045	42"	32.0"	II	0°	32"	750	340	7.6"	6.9"	9.6"	33.9"
45G-RRB-13B	4,500	2,045	42"	32.0"	III	0°	32"	761	345	8.9"	7.9"	9.5"	33.9"
45G-RRB-23A	4,500	2,045	42"	37.0"	II	0°	32"	763	346	7.6"	6.8"	9.6"	39.0"
45G-RRB-23B	4,500	2,045	42"	37.0"	III	0°	32"	774	351	8.9"	7.9"	9.5"	39.0"
45G-RRB-33A	4,500	2,045	42"	40.3"	II	0°	32"	770	349	7.6"	6.8"	9.6"	42.3"
45G-RRB-33B	4,500	2,045	42"	40.3"	III	0°	32"	783	355	8.9"	7.9"	9.5"	42.3"
45G-RRB-14A	4,500	2,045	48"	32.0"	II	0°	32"	772	350	7.6"	7.9"	9.3"	33.9"
45G-RRB-14B	4,500	2,045	48"	32.0"	III	0°	32"	783	355	8.9"	8.9"	9.2"	33.9"
45G-RRB-24A	4,500	2,045	48"	37.0"	II	0°	32"	783	355	7.6"	7.8"	9.3"	39.0"
45G-RRB-24B	4,500	2,045	48"	37.0"	III	0°	32"	793	361	8.9"	8.9"	9.2"	39.0"
45G-RRB-34A	4,500	2,045	48"	40.3"	II	0°	32"	791	359	7.6"	7.8"	9.3"	42.3"
45G-RRB-34B	4,500	2,045	48"	40.3"	III	0°	32"	805	365	8.9"	8.9"	9.2"	42.3"

ROTATOR SPECIFICATIONS

Model	RPM	Flow gpm	Torque in/lbs. @ 2,300 psi
45G/55G	7.0	15	63,000
65G	5.2	15	80,000

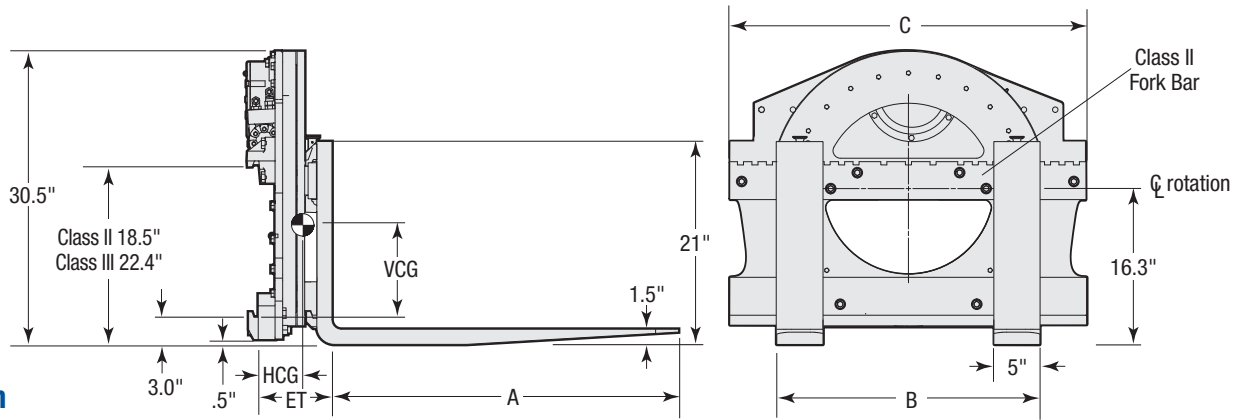
- ▶ Optional motors providing faster rotation available. Reduced torque will result.
- ▶ Optional motors providing more torque available. Reduced speed will result.

HYDRAULIC FLOW & PRESSURE

Minimum Pressure psi	Maximum Pressure psi/bar	Number of Functions
500	2,300/160	1

HYDRAULIC FUNCTIONS

Hydraulic Functions	Truck Auxiliary Valves Used
1	1


**360° Rotation**

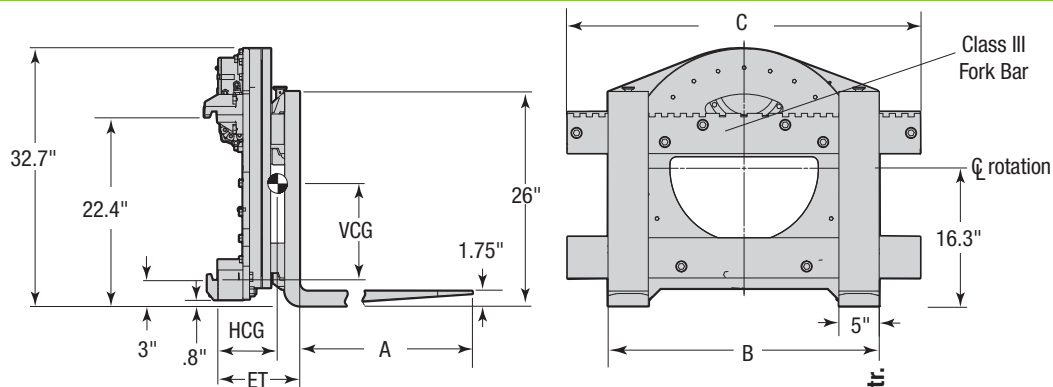
Catalog Order No.	Capacity @ 24" (600 mm) Load Center		Fork Length A	Maximum OTO Fork Spread B	Mtg. Class	Mtg. Angle	Upper Hook Width OTO	Weight		Effective Thickness ET	Horizontal Ctr. of Gravity HCG	Vertical Ctr. of Gravity VCG	Overall Width C
	lbs	kg						lbs	kg				
55G-RRB-10A	①	①	w/o Forks	37"	II	0°	32"	572	259	6.1"	3.1"	12.1"	39.0"
55G-RRB-10B	①	①	w/o Forks	37"	III	0°	32"	595	270	7.3"	4.2"	12.1"	39.0"
55G-RRB-20A	①	①	w/o Forks	42"	II	0°	32"	584	265	6.1"	3.2"	12.0"	43.9"
55G-RRB-20B	①	①	w/o Forks	42"	III	0°	32"	607	265	7.3"	4.2"	12.0"	43.9"
55G-RRB-30A	①	①	w/o Forks	45"	II	0°	32"	624	283	6.3"	3.3"	12.0"	46.9"
55G-RRB-30B	①	①	w/o Forks	45"	III	0°	32"	648	294	7.5"	4.4"	11.9"	46.9"
55G-RRB-12A	5,000	2,270	36"	37"	II	0°	32"	788	357	7.6"	6.4"	9.6"	39.0"
55G-RRB-12B	5,000	2,270	36"	37"	III	0°	32"	811	368	8.8"	7.3"	9.6"	39.0"
55G-RRB-22A	5,000	2,270	36"	42"	II	0°	32"	800	363	7.6"	6.3"	9.5"	43.9"
55G-RRB-22B	5,000	2,270	36"	42"	III	0°	32"	823	373	8.8"	7.3"	9.6"	43.9"
55G-RRB-32A	5,000	2,270	36"	45"	II	0°	32"	841	381	7.8"	6.3"	9.6"	46.9"
55G-RRB-32B	5,000	2,270	36"	45"	III	0°	32"	865	392	9.0"	7.3"	9.6"	46.9"
55G-RRB-13A	5,000	2,270	42"	37"	II	0°	32"	814	369	7.6"	7.3"	9.2"	39.0"
55G-RRB-13B	5,000	2,270	42"	37"	III	0°	32"	837	380	8.8"	8.3"	9.3"	39.0"
55G-RRB-23A	5,000	2,270	42"	42"	II	0°	32"	826	375	7.6"	7.3"	9.2"	43.9"
55G-RRB-23B	5,000	2,270	42"	42"	III	0°	32"	849	385	8.8"	8.3"	9.2"	43.9"
55G-RRB-33A	5,000	2,270	42"	45"	II	0°	32"	867	393	7.8"	7.3"	9.3"	46.9"
55G-RRB-33B	5,000	2,270	42"	45"	III	0°	32"	891	404	9.0"	8.3"	9.3"	46.9"
55G-RRB-14A	5,000	2,270	48"	37"	II	0°	32"	839	381	7.6"	8.4"	8.9"	39.0"
55G-RRB-14B	5,000	2,270	48"	37"	III	0°	32"	863	391	8.8"	9.4"	8.9"	39.0"
55G-RRB-24A	5,000	2,270	48"	42"	II	0°	32"	851	386	7.6"	8.4"	8.8"	43.9"
55G-RRB-24B	5,000	2,270	48"	42"	III	0°	32"	875	397	8.8"	9.3"	8.9"	43.9"
55G-RRB-34A	5,000	2,270	48"	45"	II	0°	32"	893	405	7.8"	8.3"	8.9"	46.9"
55G-RRB-34B	5,000	2,270	48"	45"	III	0°	32"	916	415	9.0"	9.3"	9.0"	46.9"
55G-RRB-15A	5,000	2,270	54"	37"	II	0°	32"	865	392	7.6"	9.7"	8.5"	39.0"
55G-RRB-15B	5,000	2,270	54"	37"	III	0°	32"	889	403	8.8"	10.6"	8.6"	39.0"
55G-RRB-25A	5,000	2,270	54"	42"	II	0°	32"	877	398	7.6"	6.9"	8.5"	43.9"
55G-RRB-25B	5,000	2,270	54"	42"	III	0°	32"	901	409	8.8"	10.5"	8.6"	43.9"
55G-RRB-35A	5,000	2,270	54"	45"	II	0°	32"	919	417	7.8"	9.5"	8.6"	46.9"
55G-RRB-35B	5,000	2,270	54"	45"	III	0°	32"	942	427	9.0"	10.4"	8.7"	46.9"

① Rotator capacity limited by fork size, see Capacity Chart.

**ROTATOR CAPACITY PER PAIR OF FORKS AT 24" (600 MM) CHART**

Capacity at 24" Load Center (600 mm) – Fork Size (W x T)

Model	Class	4 x 1.25 in.	100 x 35 mm	4 x 1.5 in.	100 x 40 mm	5 x 1.5 in.	122 x 40 mm	5 x 1.75 in.	125 x 45 mm	5 x 2 in.	122 x 50 mm
45G	II	3,145 lbs	1,427 kg	4,500 lbs	2,042 kg	4,500 lbs	2,042 kg	4,500 lbs	2,042 kg	—	—
55G	II	3,145 lbs	1,427 kg	4,675 lbs	2,121 kg	5,100 lbs	2,314 kg	5,500 lbs	2,495 kg	—	—
65G	III	—	—	—	—	5,100 lbs	2,314 kg	6,500 lbs	2,949 kg	6,500 lbs	2,949 kg



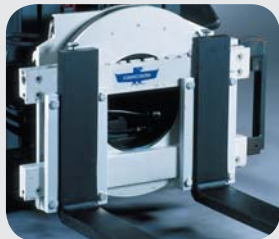
360° Rotation

Catalog Order No.	Capacity @ 24" 600mm Load Center		Fork Length	Maximum OTO Fork Spread	Mtg. Class	Mtg. Angle	Upper Hook Width	Weight		Effective Thickness	Horizontal Ctr. of Gravity	Vertical Ctr. of Gravity	Overall Width
	lbs	kg						lbs	kg				
65G-RRB-10B	①	①	w/o Forks	42"	III	0°	32"	723	328	7.9"	4.8"	12.0"	44"
65G-RRB-20B	①	①	w/o Forks	48"	III	0°	32"	747	339	7.9"	4.9"	12.0"	50"
65G-RRB-13B	6,500	3,000	42"	42"	III	0°	32"	1,019	462	9.7"	8.7"	9.7"	44"
65G-RRB-23B	6,500	3,000	42"	48"	III	0°	32"	1,043	473	9.7"	8.6"	9.7"	50"
65G-RRB-14B	6,500	3,000	48"	42"	III	0°	32"	1,049	476	9.7"	9.7"	9.3"	44"
65G-RRB-24B	6,500	3,000	48"	48"	III	0°	32"	1,073	487	9.7"	9.6"	9.3"	50"
65G-RRB-15B	6,500	3,000	54"	42"	III	0°	32"	1,077	488	9.7"	10.8"	9.0"	44"
65G-RRB-25B	6,500	3,000	54"	48"	III	0°	32"	1,101	499	9.7"	10.7"	9.0"	50"
65G-RRB-16B	6,500	3,000	60"	42"	III	0°	32"	1,105	501	9.7"	11.9"	8.7"	44"
65G-RRB-26B	6,500	3,000	60"	48"	III	0°	32"	1,129	512	9.7"	11.8"	8.7"	50"

① Rotator capacity limited by fork size, see Capacity Chart on opposite page for capacities with various fork sizes.

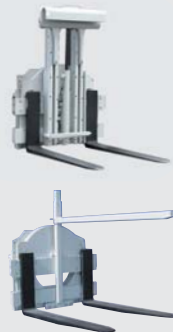
► Optional motors providing increased torque are available. Reduced speed will result.

Rotator Options



Fork Restraints

Used to limit fork movement during rotation.

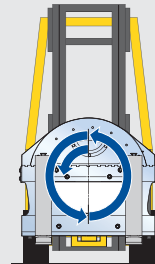


Hydraulic Bin Retainer

Typically used when bin does not have fork pockets on top of bin to hold bin in place while rotating.

Mechanical Bin Retainer

Class II, designed to retain lightweight bins.



Electronic Rotational Control (Factory Installed)

Provides 90° and 180° stops during 360° rotation, which automatically stops load at each quadrant of rotation.

Foundry Options

In foundry applications that will experience molten metal splash and high heat, the basic foundry package is required. Consult Cascade for pricing information on the following options:

Basic Foundry Rotator includes:

- Solid face plate (without visibility cutout) hold on forks or custom front end when specified.
- High temperature grease.
- High temperature seals in hydraulic motor.

Optional Modifications to Foundry Package:

- Spacers for forks or other devices when bolted directly to the faceplate to prevent excessive thermal transfer into the ring gear.
- Optional splash guard helps protect motor and bearing assembly from molten metal splashes.
- Larger motors for high torque, low speed operation.

